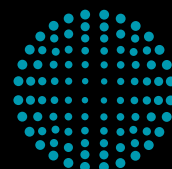




F
20P

Next-Generation
in standard tableting
technology

PURE
tableting



FETTE
COMPACTING



Tradition and knowledge

Fette Compacting, founded in 1908, is the world's leading provider of integrated solutions for industrial tablet production, with more than 6,000 machines installed globally. For over 75 years, the company has specialized in high-performance machines for the pharmaceutical, nutraceutical, and chemical industries, continuously setting new standards for quality, innovation, and efficiency. The headquarter is in Schwarzenbek near Hamburg (Germany). With 12 subsidiaries, as well as representatives in more than 50 other countries we make our extensive, oral solid dosage-related expertise available to customers all over the world.

As the only manufacturer of tablet presses with a truly global network, the company operates five interconnected Competence Centers in Germany (Schwarzenbek), China (Nanjing), the US (Rockaway), India (Goa) and Brazil (Campinas).

At the core of the company is the commitment to improving the quality of life for people worldwide through innovative product developments and services. This is encompassed by the company philosophy, 'Together – for quality of life'.

Fette Compacting Nanjing as subsidiary with own production site represents Fette Compacting since 2004.

All the machines and components are made in accordance with German standards, and satisfy the specifications of the American FDA (Food and Drug Administration) regulation authority, as well as the requirements of the international cGMP (Current Good Manufacturing Practices). Fette Compacting delivers all installations with computer-supported controllers that meet the requirements of Title 21 CFR Part 11 (Code of Federal Regulations of the FDA) for electronic documentation.

Service

Efficient machines alone are not enough. Equally important are diverse service offerings. This does not just include maintenance and repair, but also consultancy – especially in performance and operation.

If you are facing challenges in your tablet production, our application specialists are available for you, all over the world. We arrange the perfect solution to minimize machine downtime and to keep your production output up.

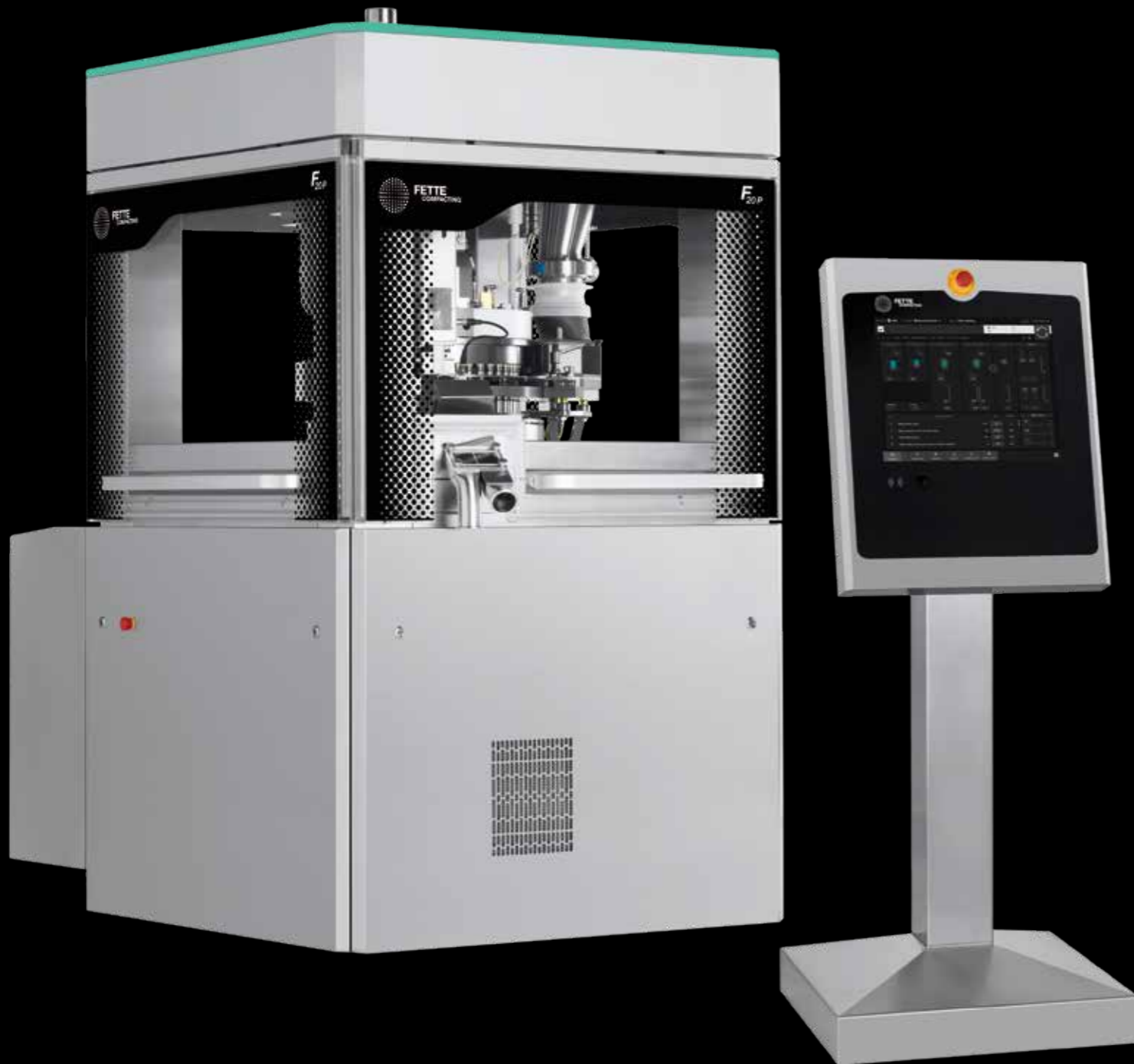
Basic Design

The new p Series is distinguished by its cross-generation system compatibility, consistently designed in accordance with the principle of process and system compatibility. For this reason, process-related assemblies are largely unchanged. Accordingly, the p Series retains all features which have made it so valuable for our customers.

F20p single rotary tablet press – remarkable flexibility

With the innovative platform the F20p demonstrate the flexible and efficient concept of modern manufacturing. It is suitable for a wide range of products and batch sizes and thus enables maximum flexibility in your production.

PURE – the most important features of the new p Series at a glance



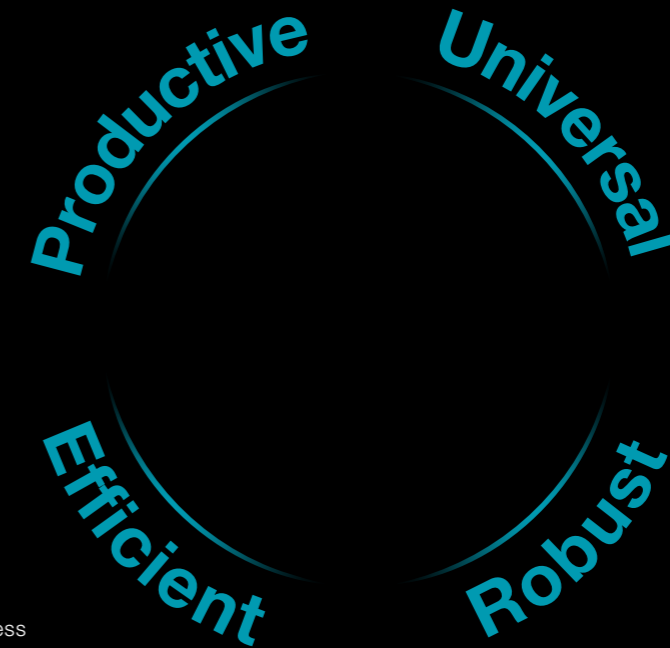
Being PURE – the base for a strategic partnership in operations

Productive

- + High output in standard operations
- + Boosting tableting production capacity and driving operational excellence

Universal

- + Compatibility and innovation well balanced
- + Minimized re-validation effort
- + Ease of use: managing and operating formulations



Efficient

- + Upgraded energy saving technology – up to 40 %
- + Optimized integration of process equipment and improved intuitive user experience
- + Enhanced cost efficiency

Robust

- + Optimized design for intensive utilization and high yields
- + Outstanding lifetime in standard tablet productions



Rapid and simple product changeover

- + Faster, easier turret changeover including cams and punches
- + Flexible use also of segment or die turrets
- + Flexible compression stations for fast format and product changeover

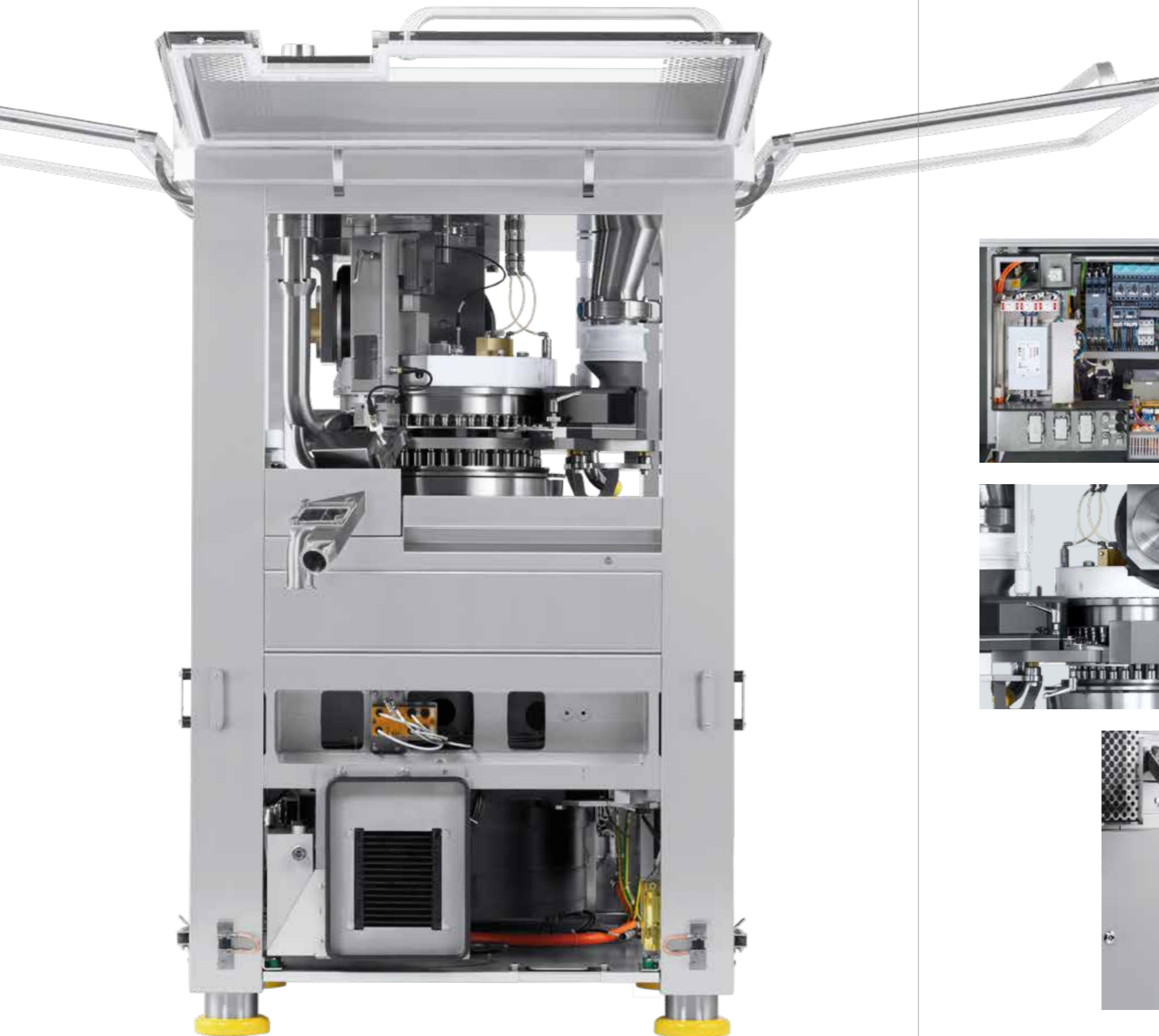
Operator and cleaning-friendly compression chamber

- + Strict separation of drive elements and measuring points
- + Maximum conformity with GMP guidelines and Easy-to-clean concepts
- + Tool-free design for disassembly of parts
- + Perfect access from all four sides
- + Geometrically optimized surfaces for the easiest possible handling and fast cleaning
- + e-SOP function: Recipe-specific reproducible soft-hardware settings
- + Driving Operational Excellence in standard operations

Segment Technology

- + Up to 25% increase in output
- + 50% reduction of product loss (max.)
- + 88% reduction in manual operations for refitting
- + 100% dimensional accuracy compared to dies





Integrated electrical cabinet

- + IP54 certified
- + Improved dust-tightness: Double-layer cabinet housing with completely sealed internal coverage
- + Less maintenance requirements
- + Dual cooling circuits effectively control internal temperature, even during long term and high-load operation



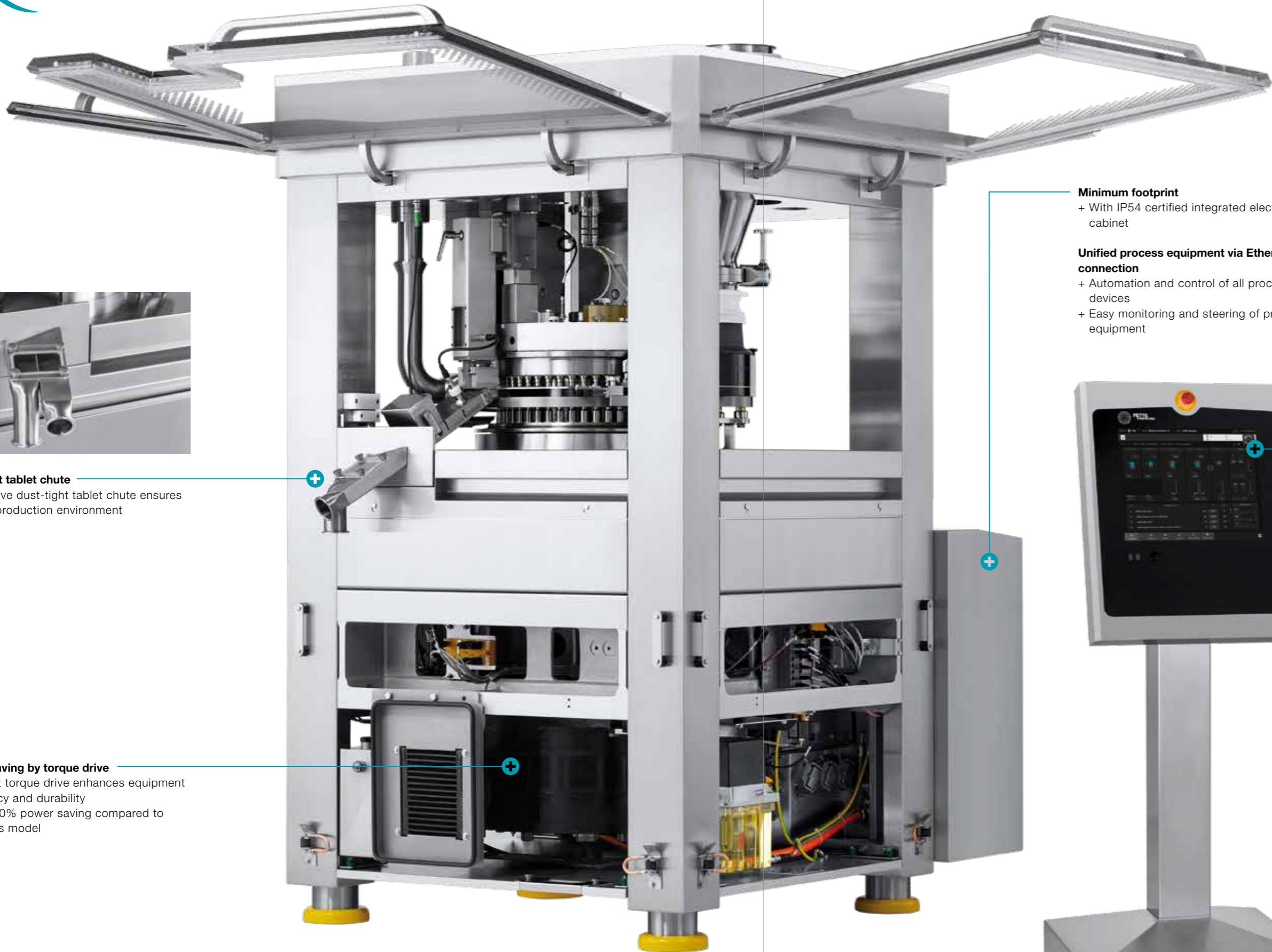
Dust extraction system

- + Reduced dust exposure
- + Aerodynamically designed dust extraction system with improved efficiency even at low vacuum utilization
- + Easy and fast cleaning through stainless steel parts
- + Preventing cross-contamination



Dust-tight tablet chute with peripheral

- + Easy cleaning, reducing noise levels and dust exposure
- + Clamp connection as standard for optimized connection to peripheral
- + Plug-and-Play design
- + Poka Yoke principle and geometrical similarity of components



Dust-tight tablet chute
+ Innovative dust-tight tablet chute ensures a safe production environment

Energy saving by torque drive
+ Efficient torque drive enhances equipment efficiency and durability
+ Up to 40% power saving compared to previous model

Minimum footprint
+ With IP54 certified integrated electrical cabinet

Unified process equipment via Ethernet connection
+ Automation and control of all process devices
+ Easy monitoring and steering of process equipment



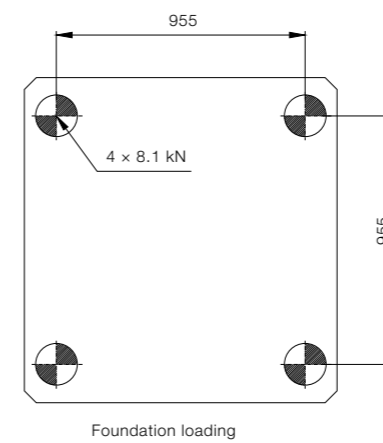
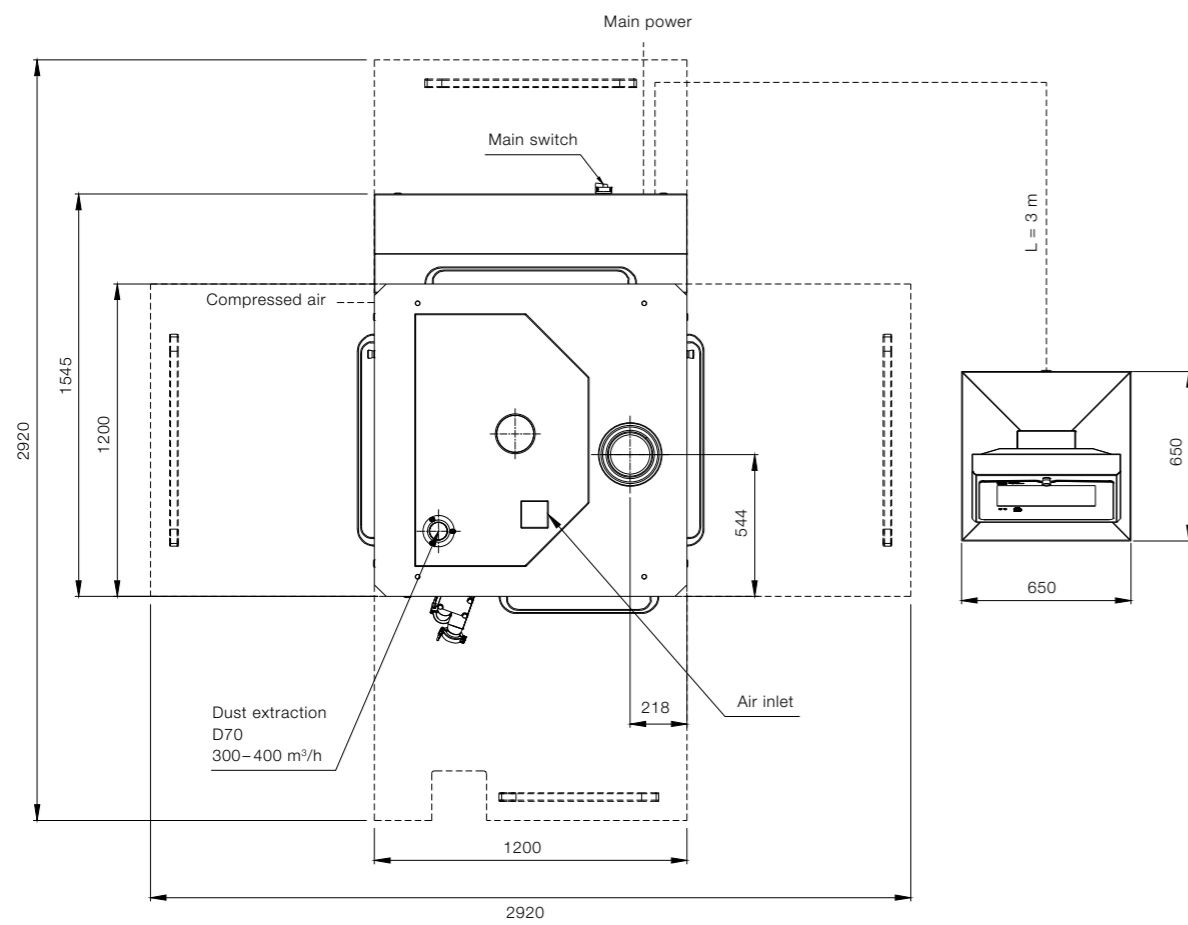
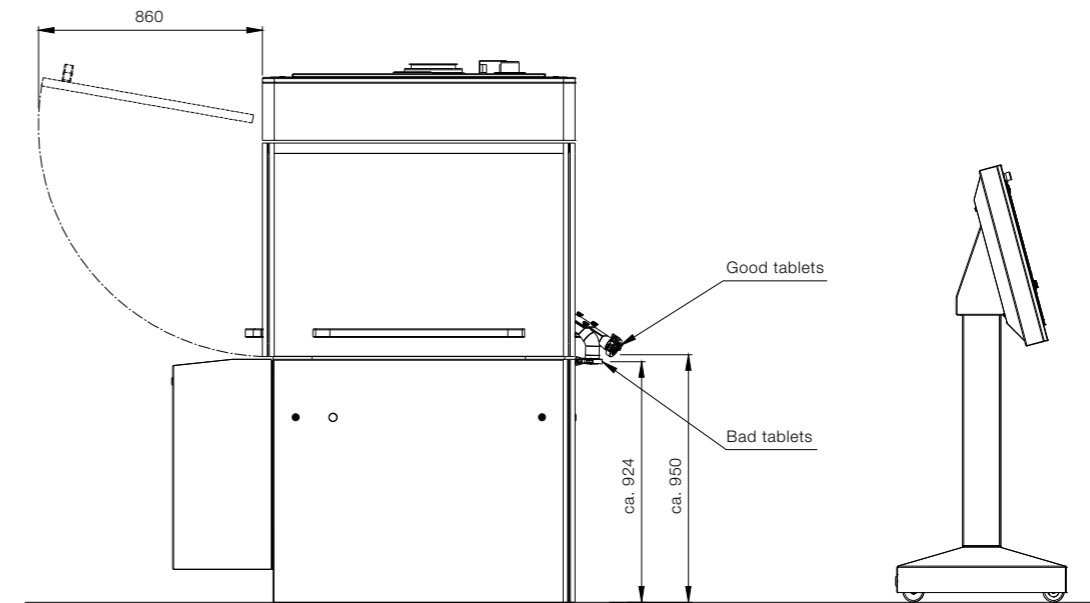
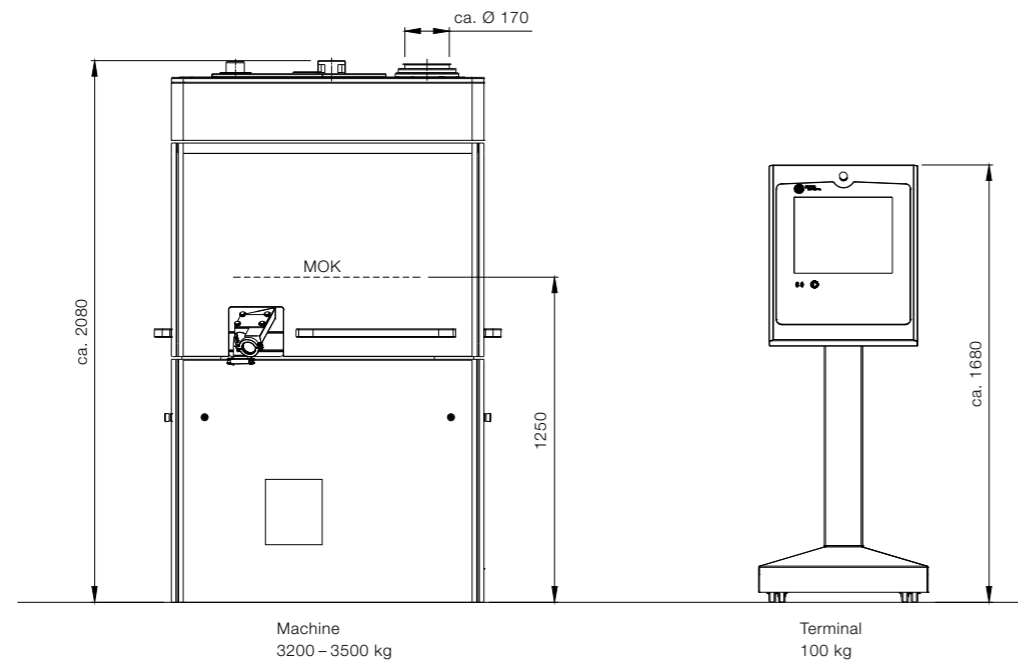
Intuitive user Interface
+ Enables intuitive operations, quality parameter settings and efficient acquisition of real-time data
+ 21 CFR Part 11 compliant
+ Optional: RFID operator login and customized authority management

Digital Ready
+ Compatible across systems, prepared for MES & IoT
+ Real-time data integrity by SQL server database
+ Error-free implementation of standard operating procedures (SOPs)

SmartInterface
by Fette Compacting
+ 24/7 access to data, documentation and machine real-time monitoring by mobile devices
+ Digital value-added function for easier handling and process acceleration
+ Key performance indicator (KPI) dashboard

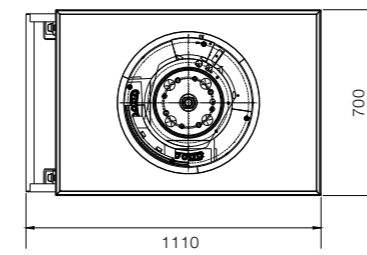
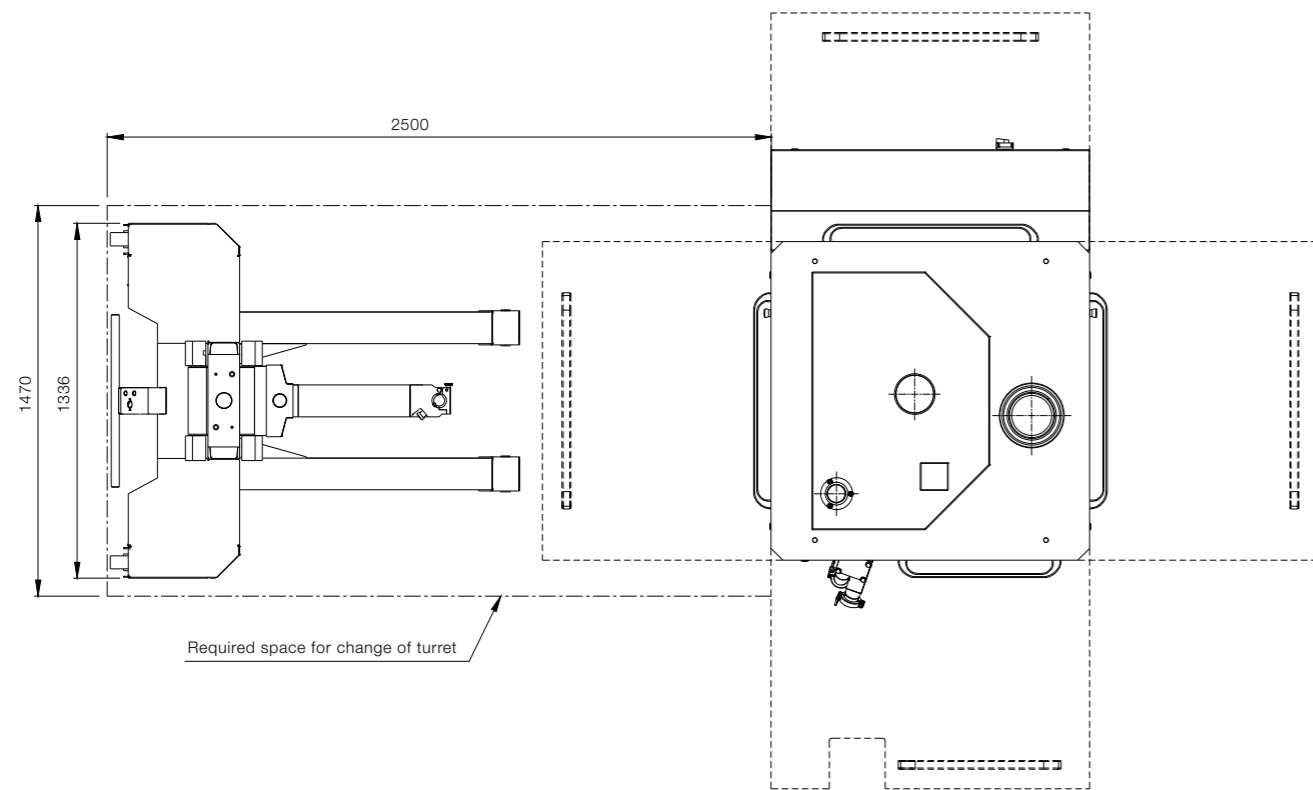
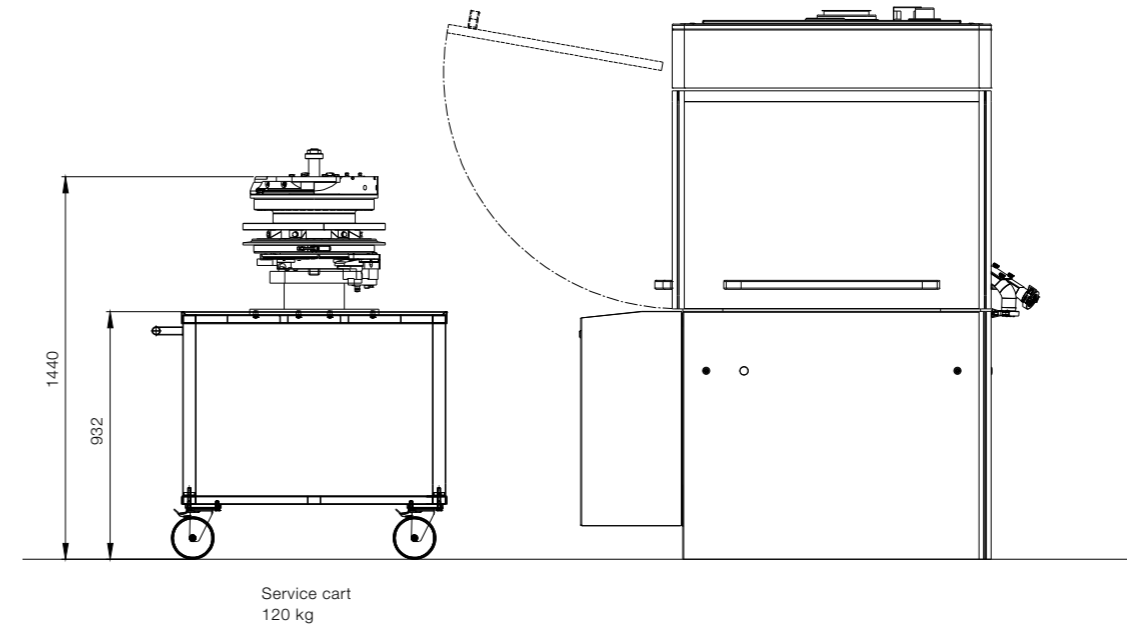
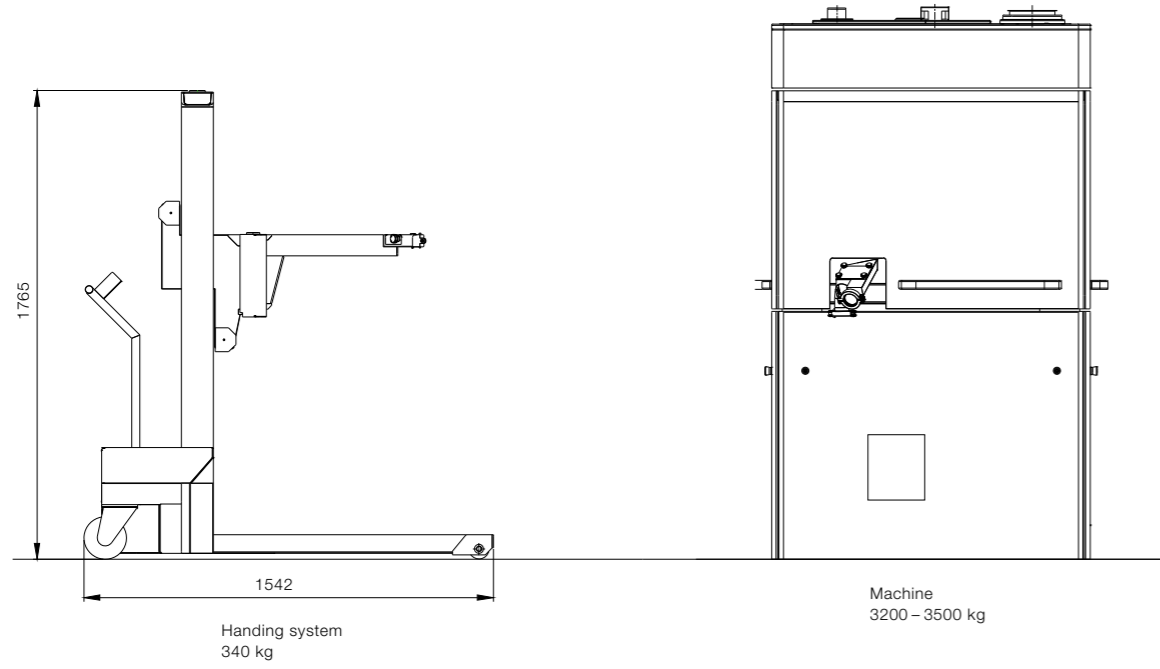
Dimensions

Standard floor plan



Dimensions

Turret exchange floor plan



Technical Data

Dies (D) / Segments (S)		D	D	D	D	S	S	S
Number of punch stations		47	43	36	30	45	36	33
Punch type		EU19 FS® EU19 TSM19 BBS	FS19® EU19 FS® EU19 TSM19 BB	FS19® EU19 FS® EU19 TSM19 B	EU1" EU1"-441 TSM1" D	FS19® EU19 FS® EU19 TSM19	EU1" TSM1"	EU1"-441
Tablet output units/h	min.	42,300	38,700	32,400	27,000	40,500	32,400	29,700
	max.	338,400	309,600	259,200	180,000	324,000	216,000	198,000
Max. compression force 1*	kN	100	100	100	100	100	100	100
Max. compression force 2*	kN	100	100	100	100	100	100	100
Max. tablet diameter	mm	11	13	18	25	18	25	25
Max. filling depth**	mm	18	18	18	22	20	20	20
Pitch circle diameter	mm	410	410	410	410	410	410	410
Turret rotation speed min.	min ⁻¹	15	15	15	15	15	15	15
	max.	min ⁻¹	120	120	120	100	120	100
Die diameter	mm	22	24	30,16	38,1	–	–	–
Die-/segment height	mm	22.225	22.225	22.225	23.8	25	25	25
Punch shaft diameter	mm	19	19	19	25.35	19	25.35	25.35
Punch length Upper/lower punch	mm	133.6	133.6 (133.35)	133.6 (133.35)	133.6 (133.35)	133.6 (133.35)	133.6 (133.35)	133.6
Upper punch insertion depth	mm	1–4	1–4	1–4	1–4	1–4	1–4	1–4
Dimensions L x W x H	mm	1,200 x 1,545 x 2,080						
Weight	Tablet press approx. 3,200–3,500 kg, operating terminal 100 kg							
Electrical supply parameters	Operating voltage 380–480 V, 50/60 Hz, power consumption 12.5 kW***							

Theoretical values or technical limits: These can vary in practice, according to product and application.
 Tablet thickness is a parameter depending on product and can strongly vary.
 * limited by punch properties
 ** special filling depth available on request
 *** 17 kW Maximum power consumption with integrated process equipment

Disclaims:
 Some features, described in this brochure are optional,
 subject to individual machine configuration on demand.

Fette Compacting GmbH

Grabauer Strasse 24
21493 Schwarzenbek, Germany
Phone +49 4151 12-0
Fax +49 4151 3797
tablet@fette-compacting.com

Fette Compacting America, Inc.

400 Forge Way
Rockaway N.J. 07866, USA
Phone +1 973 5868722
Fax +1 973 5860450
sales@fetteamerica.com

Fette Compacting America Latina Ltda.

Av. Cambacica, 1200 módulo 10
Parque Imperador
CEP 13097-160
Campinas / SP, Brazil
Phone / Fax +55 19 37969910
contato@fette-compacting.com.br

Fette Compacting Mexico, SA de CV

Adolfo Prieto No. 1638
Colonia Del Valle Sur
03100 Mexico, DF, Mexico
Phone +52 55 40000653
tablet@fette-compacting.com

Fette Compacting (China) Co., Ltd.

No. 9 Shengtong Road,
Moling Sub-District,
Jiangning Development Zone,
211111 Nanjing
Jiangsu Province, P.R.C., China
Phone +86 25 52121818
Fax +86 25 52129951
fcn@fette-compacting.com

Fette Compacting Machinery India Private Limited

Plot No. S 115, Phase III B
Verna Industrial Estate
Verna, Goa 403 722, India
Phone +91 90498 54568
marketing-in@fette-compacting.com

Fette Compacting Asia Pacific Pte Ltd.

2 Bukit Merah Central #18-01
Singapore 159835, Singapore
Phone +65 6371 1556
infoasiapacific@fette-compacting.com

Fette Compacting Ibérica SL

Avenida Labradores, 1
2ª Planta, Oficina 3
28760 Tres Cantos, Spain
Phone +34 91 8039689
Fax +34 91 3483052
fcib@fette-compacting.com

Fette Compacting France

2 rue du Centre
93160 Noisy Le Grand, France
Phone +33 155 812121
Fax +33 155 812120
fcf@fette-compacting.com

Fette Compacting Belgium BVBA

Schaliënhoëvedreef 1b
2800 Mechelen, Belgium
Phone +32 15 684260
Fax +32 15 684269
fcbe@fette-compacting.com

EuroPharma Machinery Ltd

Unit 12 Highview
Bordon, Hampshire, GU35 0AX
United Kingdom
Phone +44 1420 473344
Fax +44 1420 488030
admin@europharma.co.uk

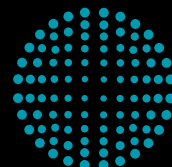
Fette Compacting Middle East FZE

Jebel Ali Free Zone, Jafza
Lobby 14, Office 308, Dubai
United Arab Emirates
Phone +971 4 8808226
dubai@fette-compacting.com

Fette Compacting North-West Africa

Tour d'Affaire Nord, Centre Commercial
Bab Ezzouar – Regus 4ème Etg.
16000 Algiers, Algeria
Phone +213 770 117 007
fcnwa@fette-compacting.com

www.fette-compacting.com



**FETTE
COMPACTING**